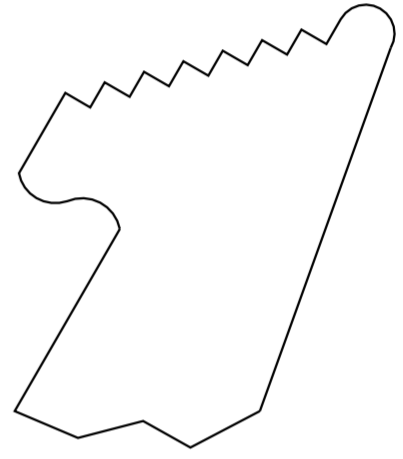
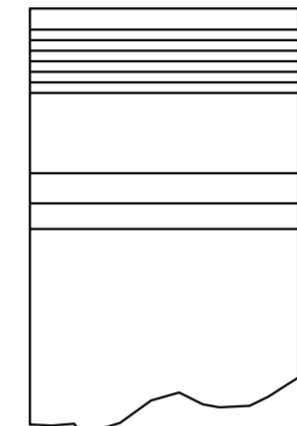
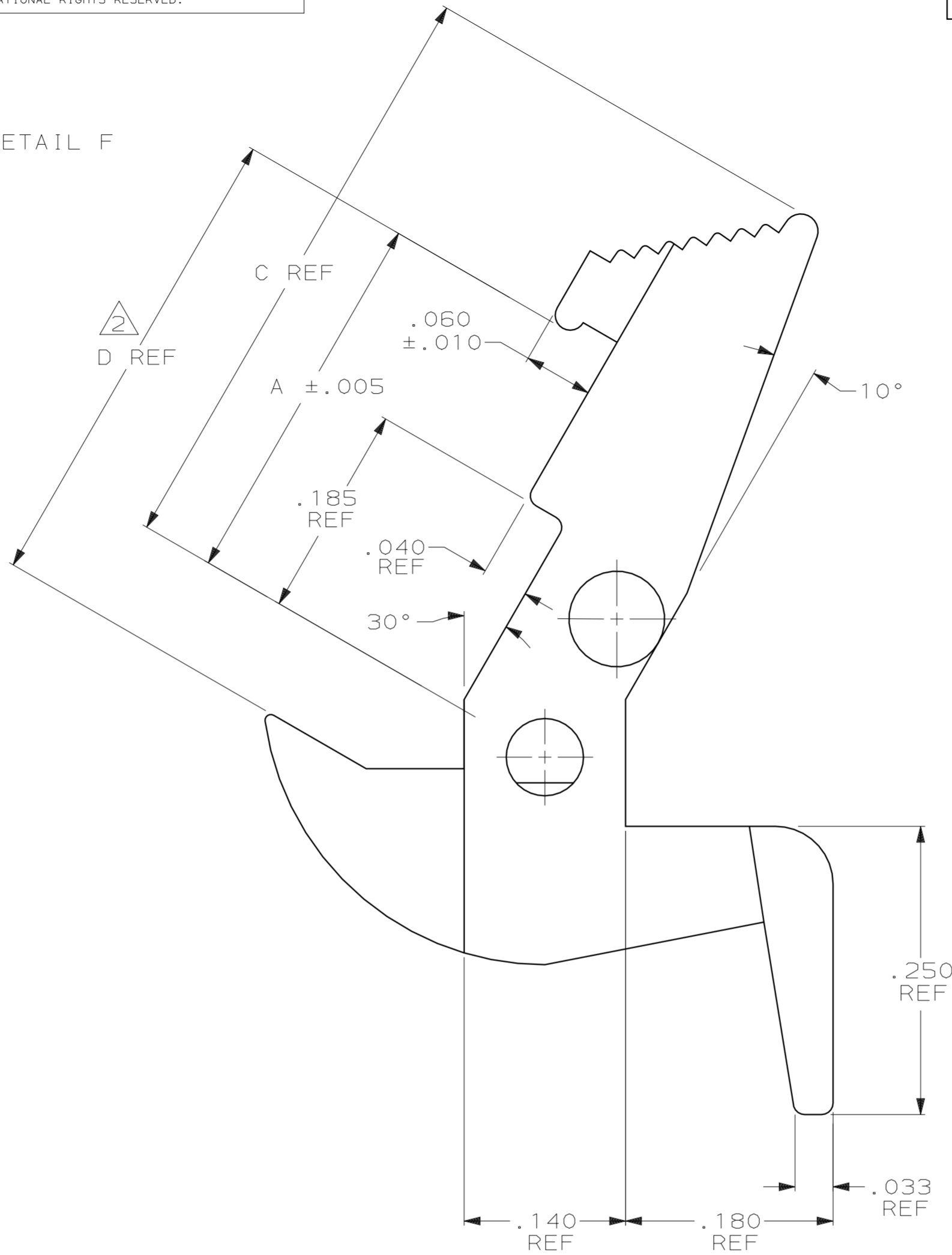
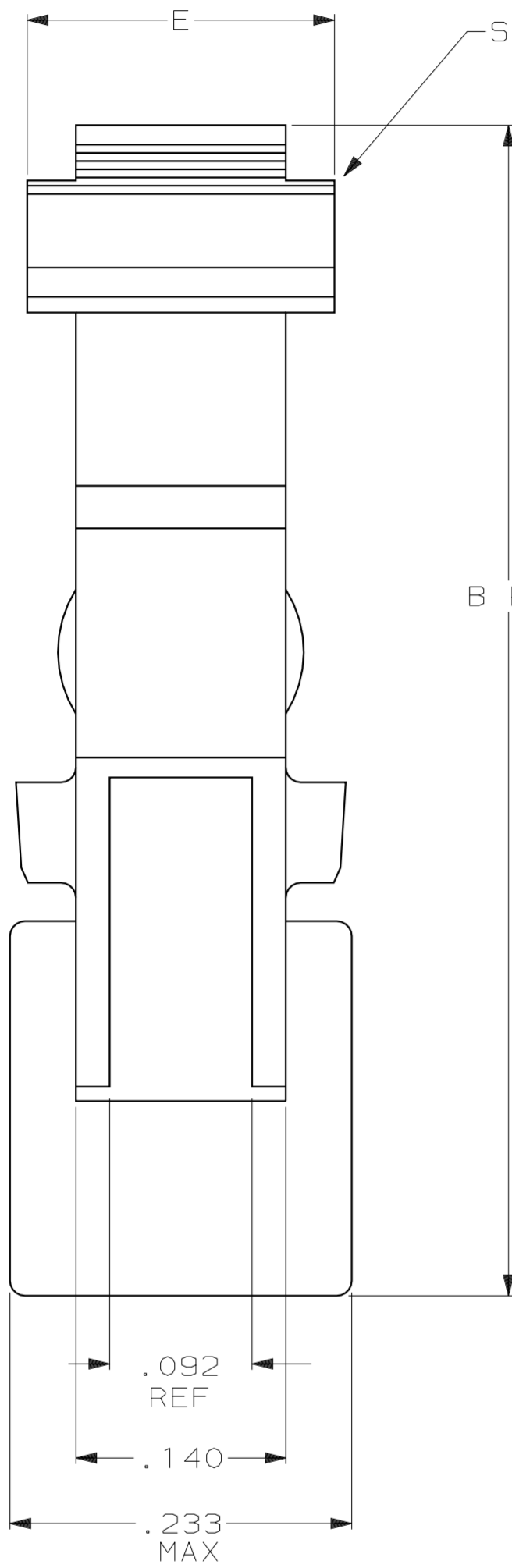


LOC	DIST	P	F	REVISIONS			DATE	APPD
GP	00			ZONE	LTR	DESCRIPTION		
				E1		REVISED PER ECO 05-016508	01MAR06	JG



DETAIL F
(FOR -2 ONLY)
①

.140	.474	.572	.840	.388	① 102185-2
.205	.416	.519	.785	.330	102185-1
E	D	C	B	A	PART NUMBER

① TO BE USED WITH AMP-LATCH™ CONNECTOR WITH STANDARD COVER.
 ② MATING RECEPTACLE HEIGHT.

DO NOT SCALE PRINT. UNLESS SPECIFIED DIMENSIONS IN INCHES TOLERANCES ON : 2 PLC DEC ± - 3 PLC DEC ± .005 ANGLES ± -	DR 07/25/90 K.L.CLOUSER/UTA	AMP Incorporated Harrisburg, PA 17105-3608		
	CHK -			APPD -
MATERIAL FLAME RETARDANT PBT, UL94V-0 RATED, COLOR BLACK	APPD -	NAME LATCH, UNIVERSAL HEADER, AMP-LATCH		
FINISH -	APPLICATION SPEC -	SIZE C	CAGE CODE 00779	DRAWING NO 102185
	WEIGHT -	SCALE 10:1	SHEET 1 OF 1	